

MODEL 30

1% STAINLESS STEEL PRESSURE GAUGES - DRY OR LIQUID FILLED

Designed for heavy duty service in process and industrial applications such as chemical, petrochemical, power, food processing and biotechnology.



SPECIFICATIONS:

| | |
|----------------------|---|
| Dial Size: | 2-1/2", 4" or 6" |
| Accuracy: | ±1% FS - ANSI Grade 1A |
| Case: | 304SS |
| Bezel: | 304SS Bayonet Lock Type |
| Socket: | 316SS or Monel |
| Bourdon Tube: | 316SS or Monel |
| Movement: | 316SS or Monel with Overload/ Underload Stops |
| Lens: | Laminated Safety Glass |
| Pointer: | 2-1/2": Non-Adjustable 4": Friction Adjustable 6": Micrometer Adjustable |
| Dial: | Heavy Gage Aluminum |
| Connection: | 2-1/2": 1/4" NPT Lower or Center Back 4": 1/4" NPT & 1/2" NPT Lower or Lower Back 6": 1/2" NPT Lower or Lower Back |
| Range: | See Range Chart |
| Scales: | psi (metric available) |
| Protection Standard: | IP65 in accordance with NF EN 60529 |

► AVAILABLE OPTIONS:

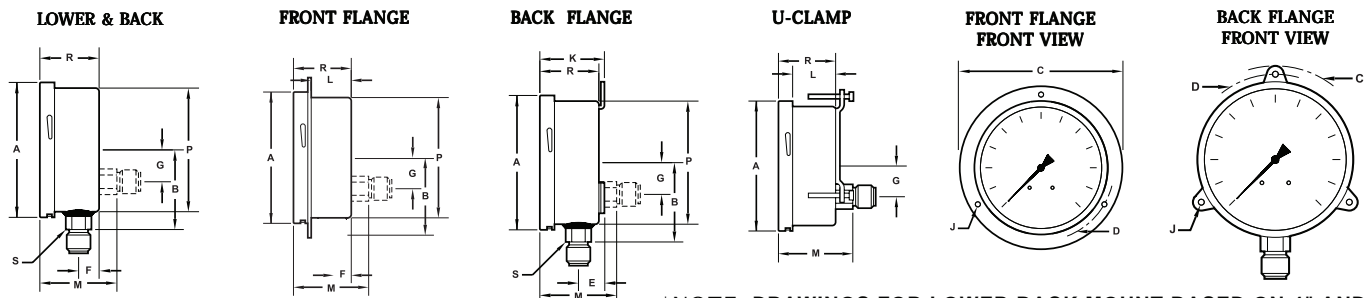
- U-Clamp (2-1/2" - 4")
- Front Flange (back mount only)
- Back Flange
- Fill (Glycerine Standard)
- Other Fluids Available
- Drag Pointer (4" & dry only)
- Oxygen Cleaning (dry only)

MODEL CODES:

| | |
|-----------|-----------------------|
| Model 30S | 316SS Tube and Socket |
| Model 30M | Monel Tube and Socket |

| Estimated Shipping Weights | | |
|----------------------------|--------------|--------------|
| DIAL SIZE | DRY | FILLED |
| 2-1/2" | 6 oz. | 9 oz. |
| 4" | 1 lb. 3 oz. | 2 lbs. |
| 6" | 2 lbs. 1 oz. | 3 lbs. 6 oz. |

► AVAILABLE CASE STYLES AND DIMENSIONS:



*NOTE: DRAWINGS FOR LOWER BACK MOUNT BASED ON 4" AND 6"

| DIAL | A | B | C | D | E | F | G | J | K | L | M | P | R | S |
|--------|--------------------|-----------------|------------------|------------------|-------------------|----------------|-------------------|-----------------|-------------------|-------------------|-------------------|------------------|-------------------|----------------|
| 2-1/2" | 2.66" (67,6mm) | | 3.19" (81mm) | 2.95" (75mm) | | .43" (11mm) | | .14" (3,6mm) | | .69" (17,5mm) | 1.46" (37mm) | 2.48" (63mm) | 1.12" (28,5mm) | .55" (14mm) |
| 4" | 4.18" (106,2mm) | 2.48" (63mm) | 5.12" (130mm) | 4.65" (118mm) | 1.00" (25,5mm) | .91" (23mm) | 1.24" (31,5mm) | .22" (5,5mm) | 2.22" (56,5mm) | 1.55" (39,3mm) | 2.70" (68,5mm) | 3.86" (98mm) | 2.15" (54,5mm) | .87" (22mm) |
| 6" | 5.91" (150,2mm) | 3.35" (85mm) | 7.09" (180mm) | 6.61" (168mm) | 1.00" (25,5mm) | .91" (23mm) | 1.24" (31,5mm) | .22" (5,5mm) | 2.22" (56,5mm) | 1.55" (39,3mm) | 2.70" (68,5mm) | 5.59" (142mm) | 2.15" (54,5mm) | .87" (22mm) |



Tel-Tru Manufacturing Company
 408 St. Paul Street, Rochester, New York 14605 USA
 Phone: 585.232.1440 • 800.232.5335 • Fax: 585.232.3857 • E-mail: info@teltru.com • Web: www.teltru.com

► HOW TO ORDER:

To Build A Part Number: Select one code from each column to build your gauge.

| DIAL | MODEL CODE | TUBE & SOCKET | CASE | CONN. SIZE | CONN. LOCATION | CONN. TYPE | RANGE & SCALE | OPTIONS |
|--------|--------------|--------------------------------------|----------------------------|------------------------------------|--|--|--|--|
| 2-1/2" | 25 30 | S = 316SS M = Monel | S = Stainless Steel | 4 = 1/4" | L = Lower C = Center Back | 1 = NPT 2 = BSPT 3 = BSP straight | See Range Chart (Up to range of 10,000 psi) | E = Back Flange F = Front Flange* G = Glycerine Fill R = Restrictor S = Silicone Fill U-Clamp ** (sold separately) Oxygen Cleaning *** |
| 4" | 40 30 | S = 316SS M = Monel | S = Stainless Steel | 2 = 1/2" 4 = 1/4" | L = Lower B = Lower Back | 1 = NPT 2 = BSPT 3 = BSP straight | See Range Chart | D = Drag Pointer E = Back Flange F = Front Flange* G = Glycerine Fill R = Restrictor S = Silicone Fill V = U-Clamp Oxygen Cleaning *** |
| 6" | 60 30 | S = 316SS M = Monel | S = Stainless Steel | 2 = 1/2" 4 = 1/4" | L = Lower B = Lower Back | 1 = NPT 2 = BSPT 3 = BSP straight | See Range Chart | E = Back Flange F = Front Flange* G = Glycerine Fill S = Silicone Fill R = Restrictor Oxygen Cleaning *** |

* Front Flange available on Back Mount only
 ** U-clamp on 2-1/2" dial is sold separately. Order part number 95-1701
 *** Oxygen cleaning is sold separately. Order part number 10000006.

Example:

Specs: 2-1/2", Model 30, 316SS, 1/4" Lower, NPT, 0-1500 psi, Glycerine

| | | | | | | | | |
|----------------|-------|---|---|---|---|---|-----|---|
| Select: | 25 30 | S | S | 4 | L | 1 | H2A | G |
|----------------|-------|---|---|---|---|---|-----|---|

Ordering Format: 2530SS4L1H2AG

► STANDARD RANGES:

| CODE = RANGE (psi) | INTERVALS (Hg) (psi) | DIVISIONS (Hg) (psi) |
|-----------------------|----------------------|----------------------|
| V1K = 30" Hg | 5" | .2" |
| Z1A = 30-0-15 | 5" 5 | .5" .2 |
| Z2A = 30-0-30 | 5" 5 | 1" .5 |
| Z3A = 30-0-60 | 10" 10 | 1" 1 |
| Z4A = 30-0-100 | 30" 10 | 5" 2 |
| Z5A = 30-0-160 | 30" 20 | 5" 2 |
| Z6A = 30-0-200 | 30" 20 | 5" 2 |

| CODE = RANGE (psi) | INTERVALS (psi) | DIVISIONS (psi) |
|--------------------|-----------------|-----------------|
| B7A = 0-15 | 3 | .1 |
| C6A = 0-30 | 5 | .2 |
| D6A = 0-60 | 10 | .5 |
| D9A = 0-100 | 10 | 1 |
| E4A = 0-160 | 20 | 2 |
| E5A = 0-200 | 20 | 2 |
| E8A = 0-300 | 50 | 2 |
| F2A = 0-400 | 50 | 5 |
| F4A = 0-600 | 100 | 5 |
| F7A = 0-800 | 100 | 10 |

| CODE = RANGE (psi) | INTERVALS (psi) | DIVISIONS (psi) |
|-----------------------|-----------------|-----------------|
| F8A = 0-1000 | 100 | 10 |
| H2A = 0-1500 | 300 | 10 |
| H5A = 0-2000 | 200 | 20 |
| H9A = 0-3000 | 500 | 20 |
| J4A = 0-4000 | 500 | 50 |
| J8A = 0-5000 | 500 | 50 |
| K4A = 0-10,000 | 1000 | 100 |
| K7A = 0-15,000 | 3000 | 100 |

NOTE: INTERVALS AND DIVISION BASED ON 4" DIAL SIZE. CONTACT FACTORY TO REQUEST INFORMATION ON OTHER DIAL SIZES.
NOTE: ABOVE 15,000 PSI AVAILABLE ONLY WITH 1/2" BSP STRAIGHT CONNECTION (G^{1/2}).
NOTE: OTHER RANGES AND SCALES AVAILABLE. CONSULT FACTORY.

MODEL 31

1% SOLID FRONT STAINLESS STEEL PRESSURE GAUGES DRY OR LIQUID FILLED

Solid front, blowout back, field fillable model, designed for the rugged applications of the process and power industries.



SPECIFICATIONS:

| | |
|----------------------|--|
| Dial Size: | 4" (100mm) |
| Accuracy: | ±1% FS - ANSI Grade 1A |
| Case: | 304SS |
| Bezel: | 304SS Bayonet Lock Type |
| Socket: | 316SS or Monel |
| Bourdon Tube: | 316SS or Monel |
| Movement: | 316SS with Overload/Underload Stops |
| Lens: | Laminated Safety Glass |
| Pointer: | Friction Adjustable |
| Dial: | Heavy Gage Aluminum |
| Connection: | 4" - 1/4" NPT or 1/2" NPT Lower (Fully Welded) |
| Range: | See Range Chart |
| Scales: | psi (metric available) |
| Blow Out Back: | Standard |
| Protection Standard: | IP65 in accordance with NF EN 60529 |

► AVAILABLE OPTIONS:

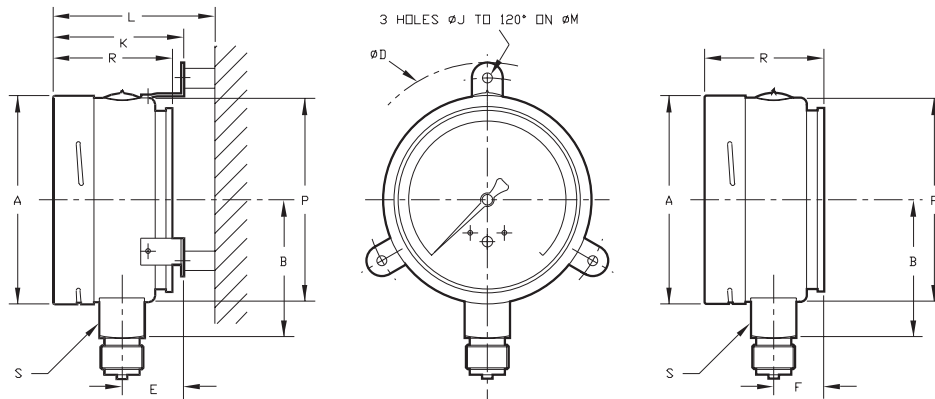
- Fill (Glycerine Standard) • Oxygen Cleaning (dry only)
- Other Fluids Available
- Back Flange
- Restrictor

MODEL CODES:

| | |
|-----------|-----------------------|
| Model 31S | 316SS Tube and Socket |
| Model 31M | Monel Tube and Socket |

| Estimated Shipping Weights | | |
|----------------------------|-------------|--------------|
| DIAL SIZE | DRY | FILLED |
| 4" | 1 lb. 8 oz. | 2 lbs. 4 oz. |

► AVAILABLE CASE STYLES AND DIMENSIONS:



| DIAL | A | B | D | E | F | J | K | L | M | P | R | S |
|------|------------------|-----------------|------------------|-----------------|------------------|-----------------|-----------------|-------------------|------------------|----------------|-----------------|----------------|
| 4" | 3.98" (101mm) | 2.64" (67mm) | 5.24" (133mm) | 1.18" (30mm) | .96" (24.5mm) | .19" (4.8mm) | 2.50" (63mm) | 3.09" (78.5mm) | 4.65" (118mm) | 3.9" (99mm) | 2.28" (58mm) | .87" (22mm) |



Tel-Tru Manufacturing Company
 408 St. Paul Street, Rochester, New York 14605 USA
 Phone: 585.232.1440 • 800.232.5335 • Fax: 585.232.3857 • E-mail: info@teltru.com • Web: www.teltru.com

► HOW TO ORDER:

To Build A Part Number: Select one code from each column to build your gauge.

| DIAL | MODEL CODE | TUBE & SOCKET | CASE | CONN. SIZE | CONN. LOCATION | CONN. TYPE | RANGE & SCALE | OPTIONS |
|------|------------|------------------------|---------------------|----------------------|----------------|---|-----------------|---|
| 4" | 4031 | S = 316SS M = Monel | S = Stainless Steel | 2 = 1/2" 4 = 1/4" | L = Lower | 1 = NPT 2 = BSPT 3 = BSP straight | See Range Chart | E = Back Flange G = Glycerine Fill R = Restrictor S = Silicone Fill Oxygen Cleaning * |

* Oxygen cleaning is sold separately. Order part number 10000006.

Example:

Specs: 4", Model 31, 316SS, 1/4" Lower, NPT, 0-1500 psi, Glycerine

Select:

| | | | | | | | |
|-------|---|---|---|---|---|-----|---|
| 40 31 | S | S | 4 | L | 1 | H2A | G |
|-------|---|---|---|---|---|-----|---|

Ordering Format: 4031SS4L1H2AG

► STANDARD RANGES:

| CODE = RANGE (psi) | INTERVALS (Hg) (psi) | DIVISIONS (Hg) (psi) |
|--------------------|----------------------|----------------------|
| V1K = 30" Hg | 5" | .5" |
| Z1A = 30-0-15 | 5" 3 | 1" .5 |
| Z2A = 30-0-30 | 10" 5 | 1" .5 |
| Z3A = 30-0-60 | 10" 10 | 2" 1 |
| Z4A = 30-0-100 | 30" 10 | 5" 2 |
| Z5A = 30-0-160 | 30" 20 | 5" 2 |

| CODE = RANGE (psi) | INTERVALS (psi) | DIVISIONS (psi) |
|--------------------|-----------------|-----------------|
| B7A = 0-15 | 3 | .2 |
| C6A = 0-30 | 5 | .5 |
| D6A = 0-60 | 10 | .5 |
| D9A = 0-100 | 10 | 1 |
| E4A = 0-160 | 20 | 2 |
| E5A = 0-200 | 20 | 2 |
| E8A = 0-300 | 50 | 2 |
| F2A = 0-400 | 50 | 5 |
| F4A = 0-600 | 100 | 5 |
| F7A = 0-800 | 100 | 10 |

| CODE = RANGE (psi) | INTERVALS (psi) | DIVISIONS (psi) |
|--------------------|-----------------|-----------------|
| F8A = 0-1000 | 100 | 10 |
| H2A = 0-1500 | 200 | 20 |
| H5A = 0-2000 | 200 | 50 |
| H9A = 0-3000 | 500 | 50 |
| J4A = 0-4000 | 500 | 50 |
| J8A = 0-5000 | 500 | 100 |
| K4A = 0-10,000 | 1000 | 100 |
| K7A = 0-15,000 | 3000 | 100 |

NOTE: ABOVE 15,000 PSI AVAILABLE ONLY WITH 1/2" BSP STRAIGHT CONNECTION (G'1/2).
 NOTE: OTHER RANGES AND SCALES AVAILABLE. CONSULT FACTORY.

MODEL 32

1.5% ALL STAINLESS STEEL PRESSURE GAUGES - DRY OR LIQUID FILLED

Corrosion resistant gauge for general service applications.



SPECIFICATIONS:

| | |
|----------------------|-------------------------------------|
| Dial Size: | 2-1/2" |
| Accuracy: | 1.5% FS - ANSI Grade A |
| Case: | 304SS |
| Bezel: | 304SS Crimped |
| Socket: | 316SS |
| Bourdon Tube: | 316SS |
| Movement: | 316SS |
| Lens: | Polycarbonate |
| Pointer: | Aluminum, Non-Adjustable |
| Dial: | Heavy Gage Aluminum |
| Connection: | 1/4" NPT Lower or Center Back |
| Range: | See Range Chart |
| Scales: | psi & bar (kPa = bar x 100) |
| Protection Standard: | IP65 in accordance with NF EN 60529 |

Estimated Shipping Weights

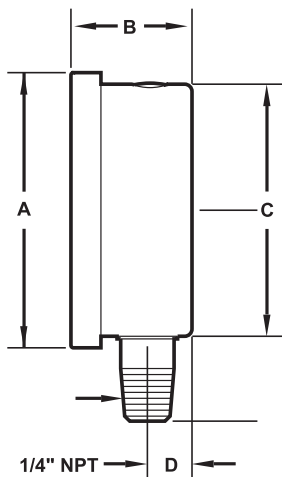
| DIAL SIZE | DRY | FILLED |
|-----------|-------|--------|
| 2-1/2" | 6 oz. | 9 oz. |

▶ AVAILABLE OPTIONS:

- Fill (Glycerine Standard)
- Other Fluids Available
- Oxygen Cleaning (dry)
- Restrictor

▶ AVAILABLE CASE STYLES AND DIMENSIONS:

LOWER & BACK



| DIAL | A | B | C | D |
|--------|-----------------|-----------------|-----------------|----------------|
| 2-1/2" | 2.68" (68mm) | 1.18" (30mm) | 2.47" (63mm) | .41" (10mm) |



Tel-Tru Manufacturing Company
 408 St. Paul Street, Rochester, New York 14605 USA
 Phone: 585.232.1440 • 800.232.5335 • Fax: 585.232.3857 • E-mail: info@teltru.com • Web: www.teltru.com

► HOW TO ORDER:

To Build A Part Number: Select one code from each column to build your gauge.

| DIAL | MODEL CODE | TUBE & SOCKET | CASE | CONN. SIZE | CONN. LOCATION | CONN. TYPE | RANGE & SCALE | OPTIONS |
|--------|--------------|------------------|----------------------------|-----------------|---|----------------|-----------------|--|
| 2-1/2" | 25 32 | S = 316SS | S = Stainless Steel | 4 = 1/4" | L = Lower C = Center Back* | 1 = NPT | See Range Chart | G = Glycerine Fill R = Restrictor S = Silicone Fill Oxygen Cleaning ** |

* Center Back mount available on special order.
 ** Oxygen cleaning is sold separately. Order part number 10000006.

Example:

Specs: 2-1/2", Model 32S, 316SS, 1/4" NPT Lower, 0-160 psi/bar, Glycerine Fill

Select:

| | | | | | | | |
|-------|---|---|---|---|---|-----|---|
| 25 32 | S | S | 4 | L | 1 | E4F | G |
|-------|---|---|---|---|---|-----|---|

Ordering Format: 2532SS4L1E4FG

► STANDARD RANGES:

Note: Dual Scale, psi/bar (KPA = bar x 100)

| CODE = RANGE (psi) | INTERVALS (Hg) (psi) | DIVISIONS (Hg) (psi) |
|----------------------|----------------------|----------------------|
| V1Z = 30" Hg | 5" | .5" |
| Z1Z = 30-0-15 | 5" 3 | 1" .5 |
| Z2Z = 30-0-30 | 10" 5 | 1" .5 |
| Z3Z = 30-0-60 | 10" 10 | 2" 1 |

| CODE = RANGE (psi) | INTERVALS (psi) | DIVISIONS (psi) |
|--------------------|-----------------|-----------------|
| B7F = 0-15 | 2 | .2 |
| C6F = 0-30 | 5 | .5 |
| D6F = 0-60 | 10 | 1 |
| D9F = 0-100 | 10 | 2 |
| E4F = 0-160 | 20 | 2 |
| E5F = 0-200 | 20 | 2 |
| E8F = 0-300 | 50 | 5 |
| F2F = 0-400 | 50 | 5 |
| F4F = 0-600 | 100 | 20 |

| CODE = RANGE (psi) | INTERVALS (psi) | DIVISIONS (psi) |
|-----------------------|-----------------|-----------------|
| F8F = 0-1000 | 100 | 10 |
| H2F = 0-1500 | 200 | 20 |
| H5F = 0-2000 | 200 | 50 |
| H9F = 0-3000 | 500 | 50 |
| J8F = 0-5000 | 500 | 100 |
| K4F = 0-10,000 | 1000 | 100 |